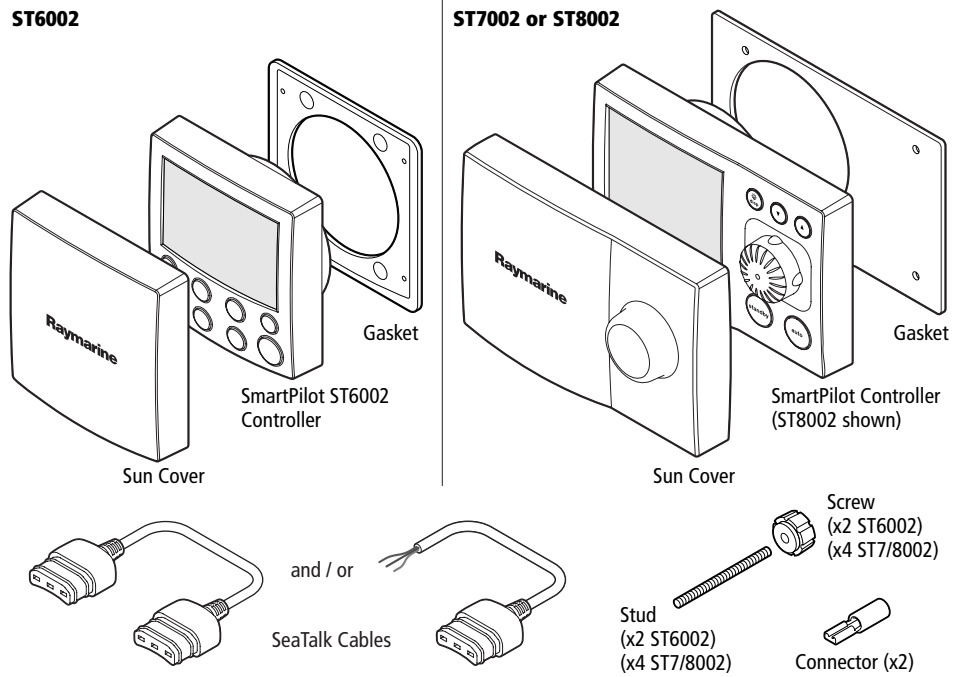
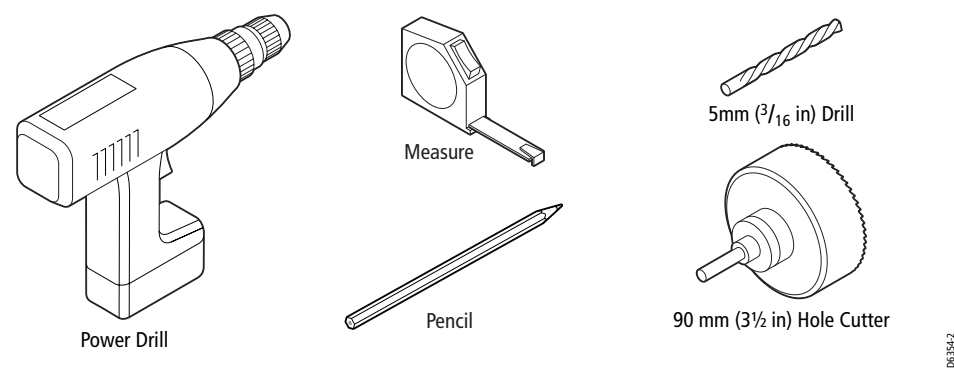


**SMARTPILOT SURFACE MOUNT
CONTROLLER INSTALLATION GUIDE**

Parts supplied

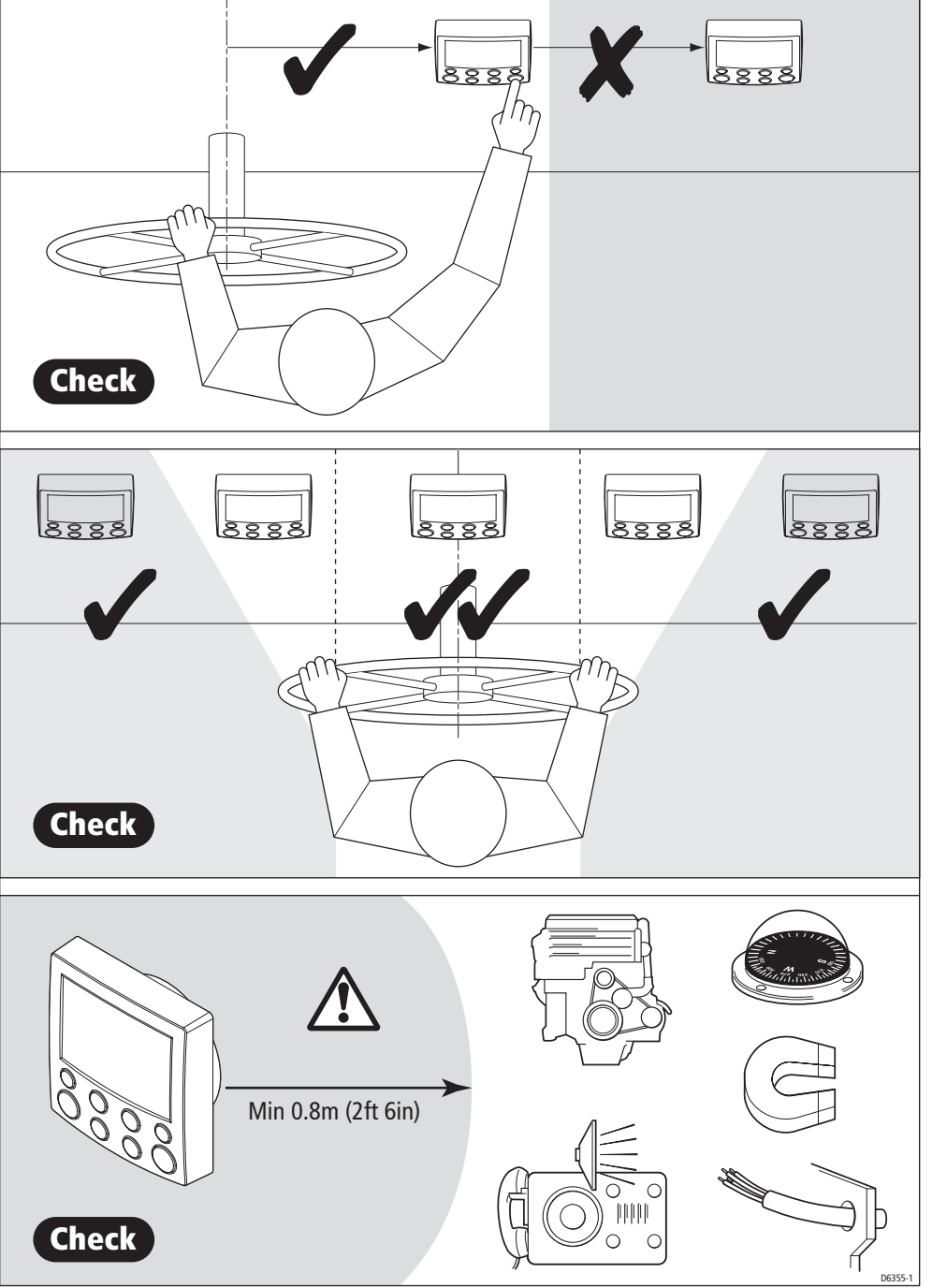


Tools required

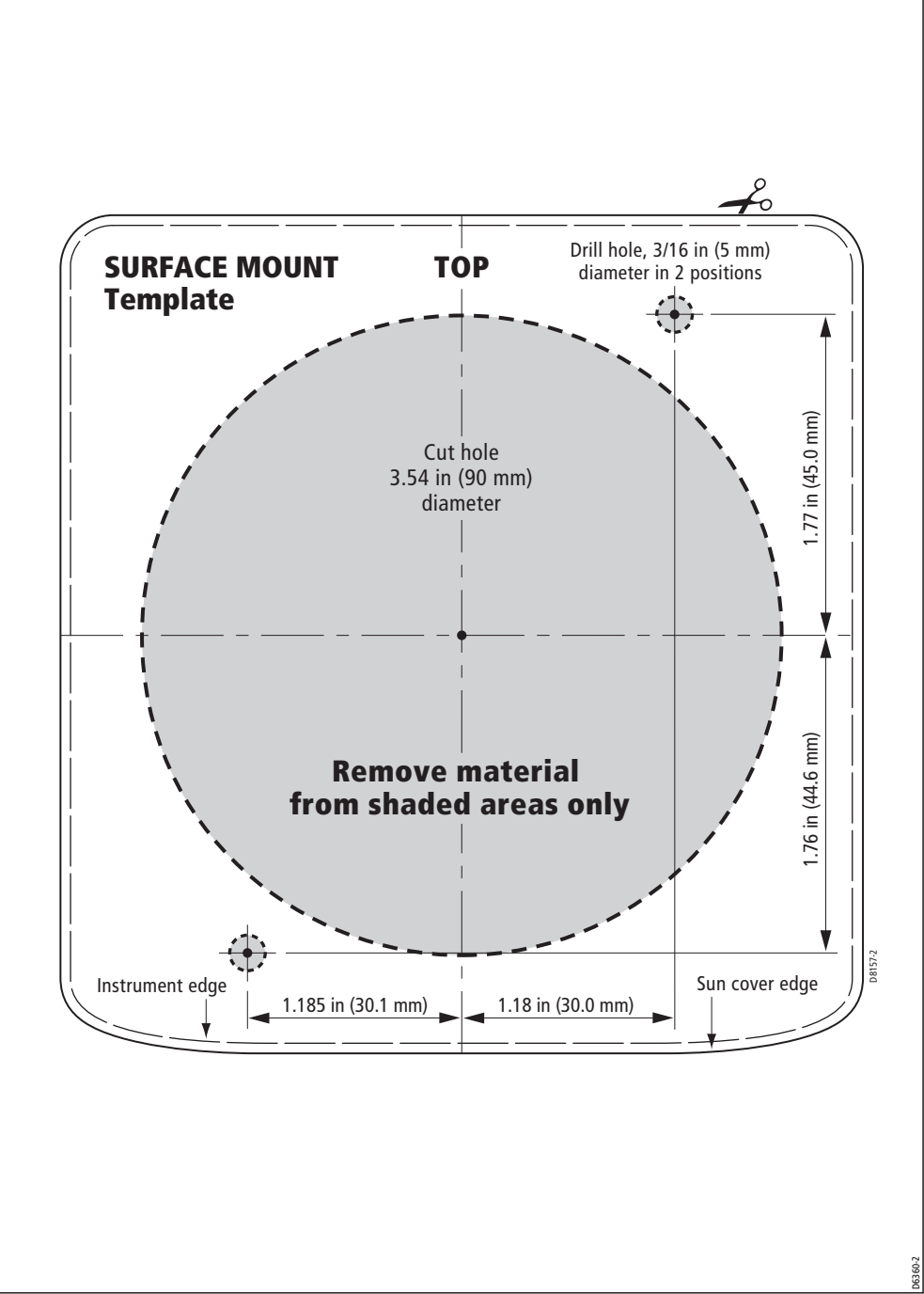


Raymarine Ltd, Portsmouth, Hampshire, UK PO3 5TD +44 (0) 23 9269 3611
Raymarine Inc. Merrimack, NH, 03054-4801, US Toll Free: 800-539-5539
Recyclable Material - Please dispose of responsibly. +1 603-881-5200

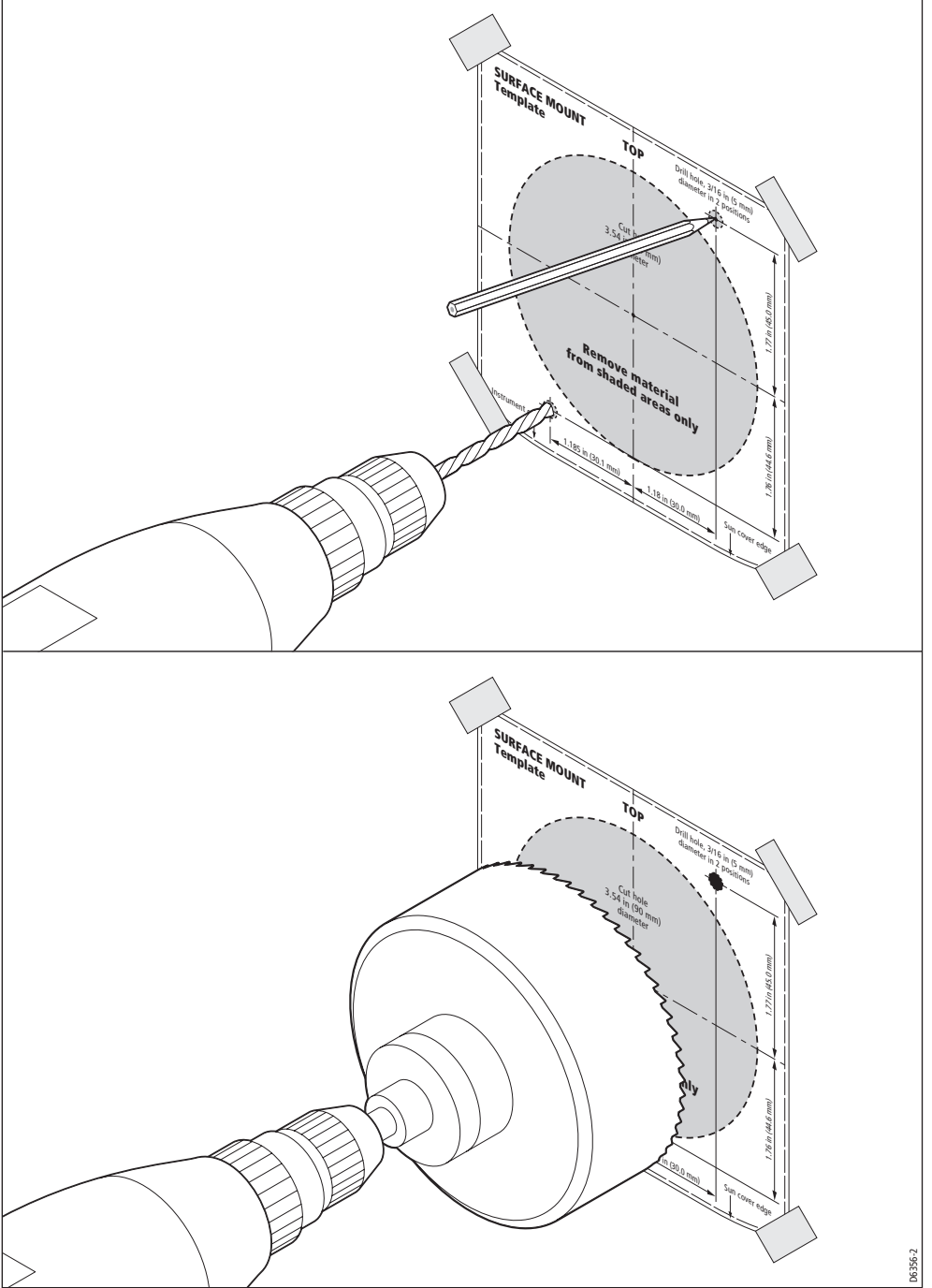
Site requirements



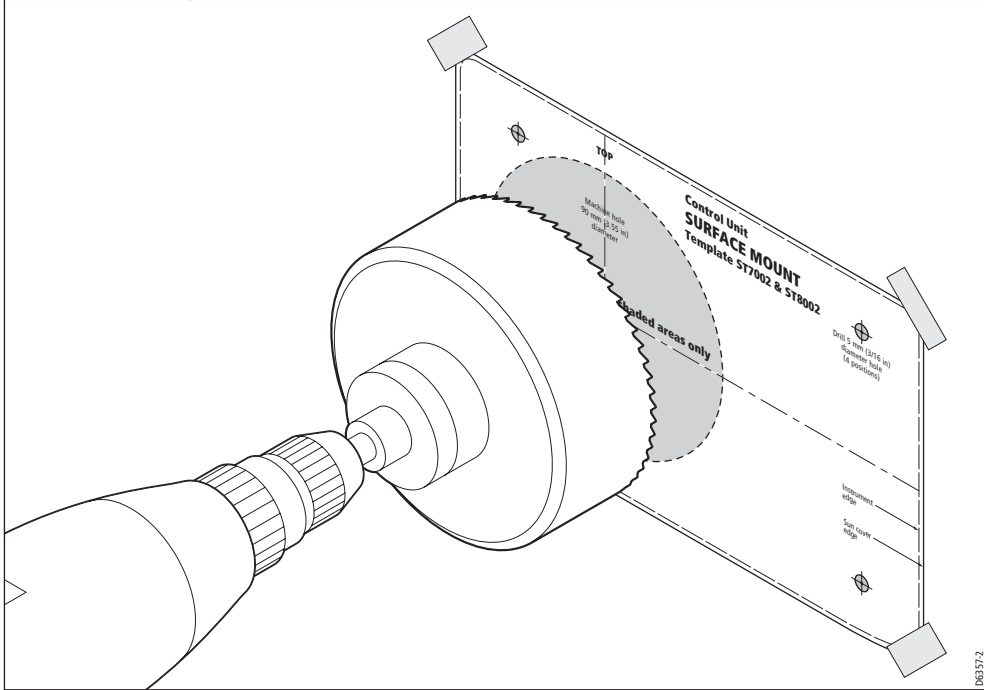
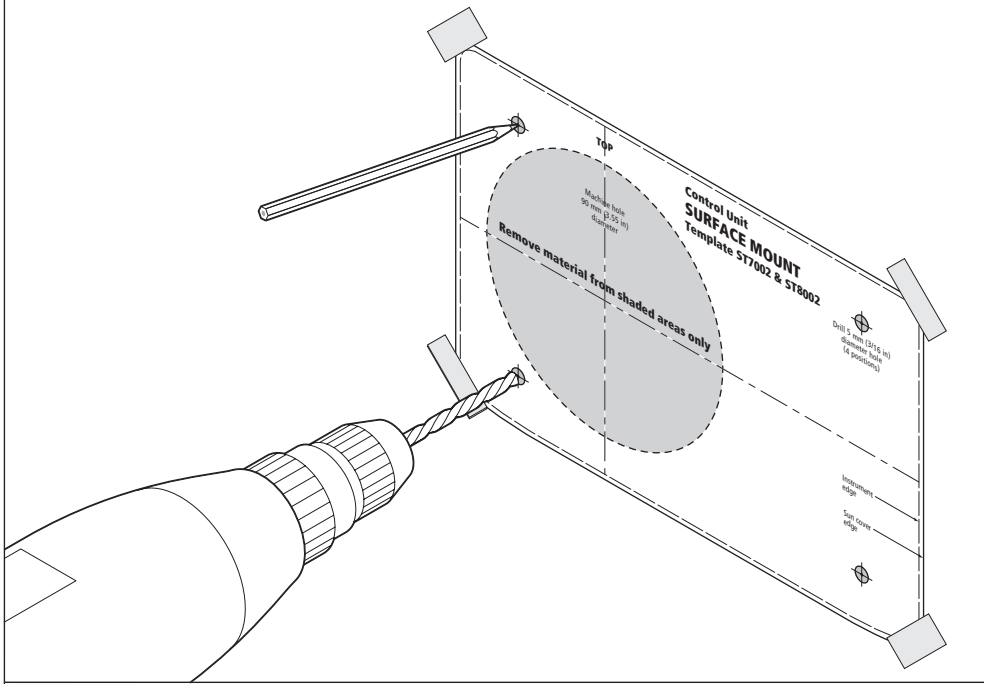
ST6002 surface mount template



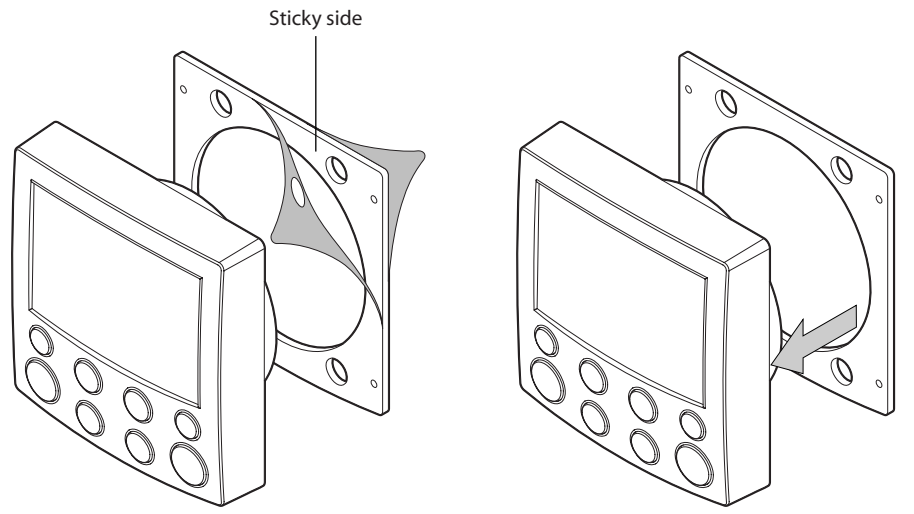
ST6002 controller - Step 1



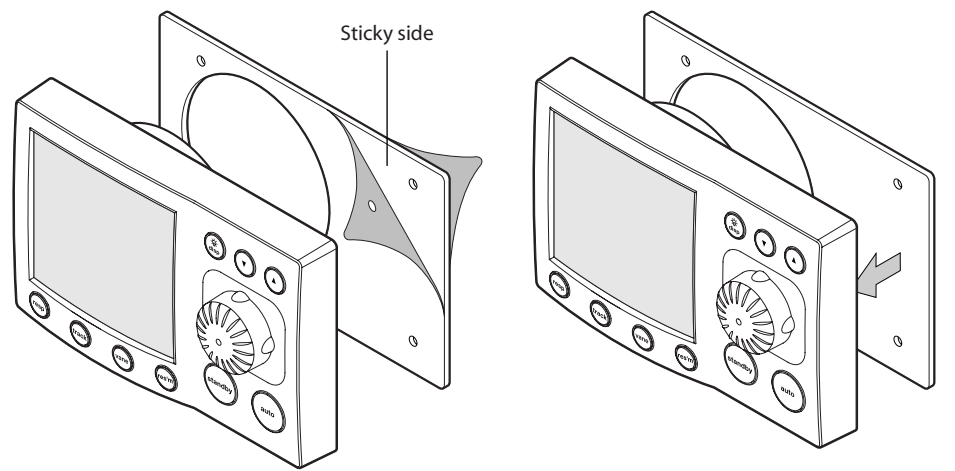
ST7002 and ST8002 controller - Step 1



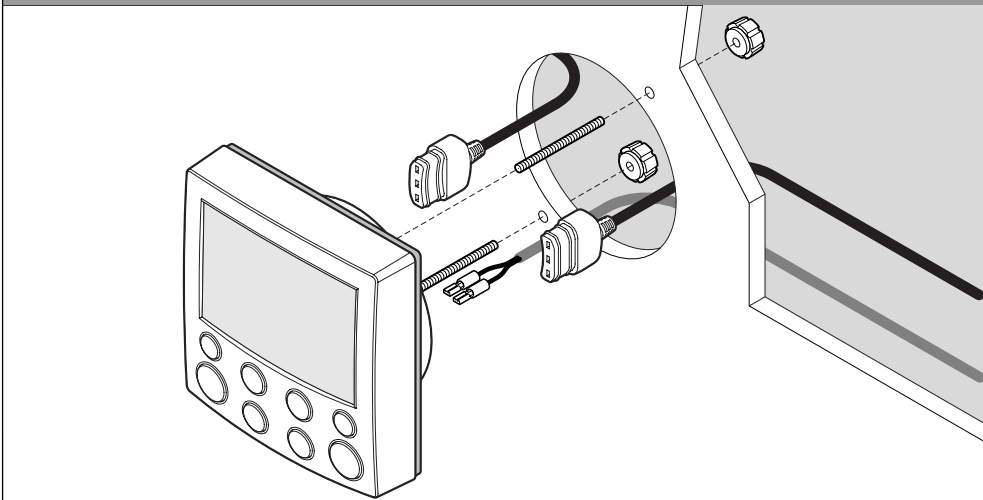
ST6002 - Step 2



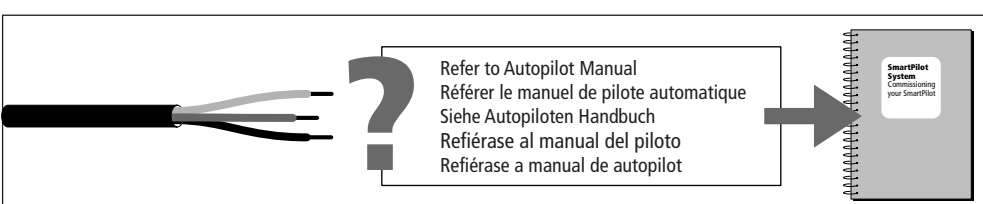
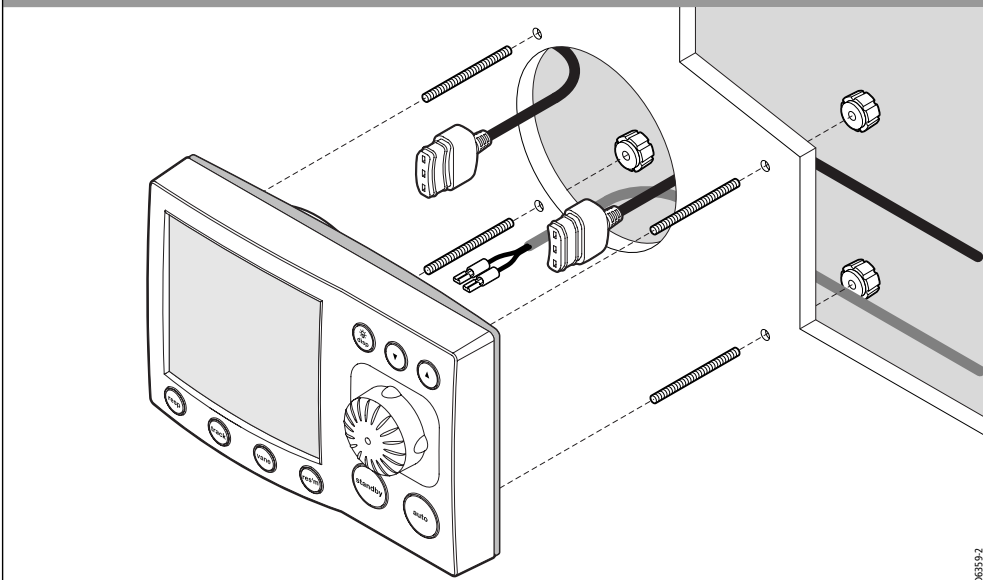
ST7002 and ST8002 - Step 2



ST6002 - Step 3



ST7002 and ST8002 - Step 3



ST7002 and ST8002 surface mount template

