



AUTOMATIC SYSTEM FOR OIL CHANGE

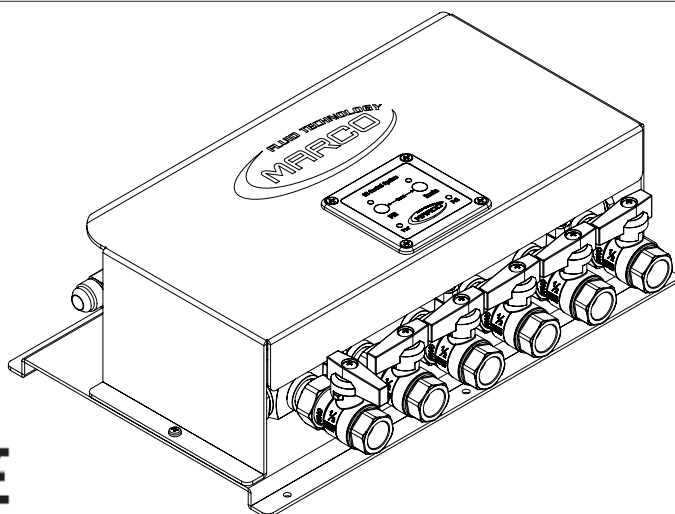
INSTRUCTIONS FOR USE

164 924 15-US - OCS3/E 12V / 24V

164 926 15-US - OCS6/E 12V / 24V

164 928 15-US - OCS9/E 12V / 24V

164 928 1H-US - OCS9/E 110V / 220V



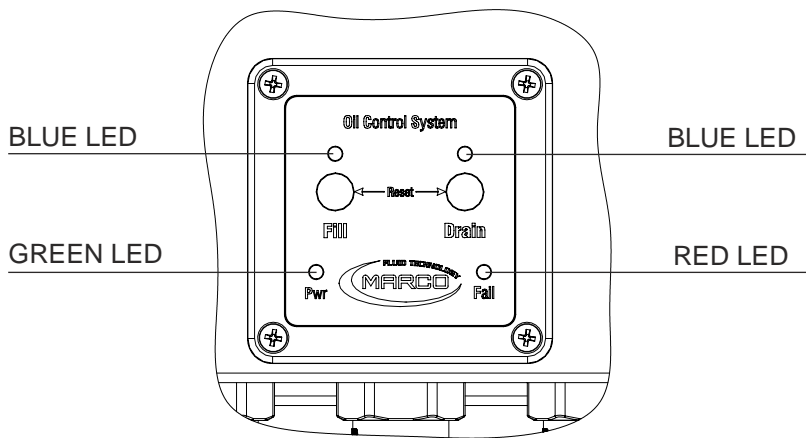
CE

16/09/10 Ed.00

DESCRIPTION

Oil change device with automatic rpm control vs oil viscosity.

- 1) When the control panel is on, the green LED lights up and the blue LEDs blink
- 2) To suck exhausted oil press the «DRAIN» key
- 3) To fill with fresh oil press the «FILL» key
- 4) To stop the pump press either key
- 5) To restart the pump press the key with the desired function
- 6) In case of overloads, for example when oil is highly viscous or when all taps are closed, the blue and red LEDs will blink and the pump will run only for 60 sec to avoid burning out. It is always possible to restart the pump by pressing either key again. If the pump motor will exceed the max preset current, the pump will stop immediately and the red LED will blink. To reset the control panel and restart the pump, press the «FILL» and «DRAIN» keys together.
- 7) The pump always operates for 30 sec max; to restart it, press either key.
- 8) When the transfer is completed and the pump is empty, the blue LED will blink and, after 60 sec, the pump will stop. This operation could be delayed by the difficult draining of the pump body, due to high oil viscosity and/or low ambient temperature.



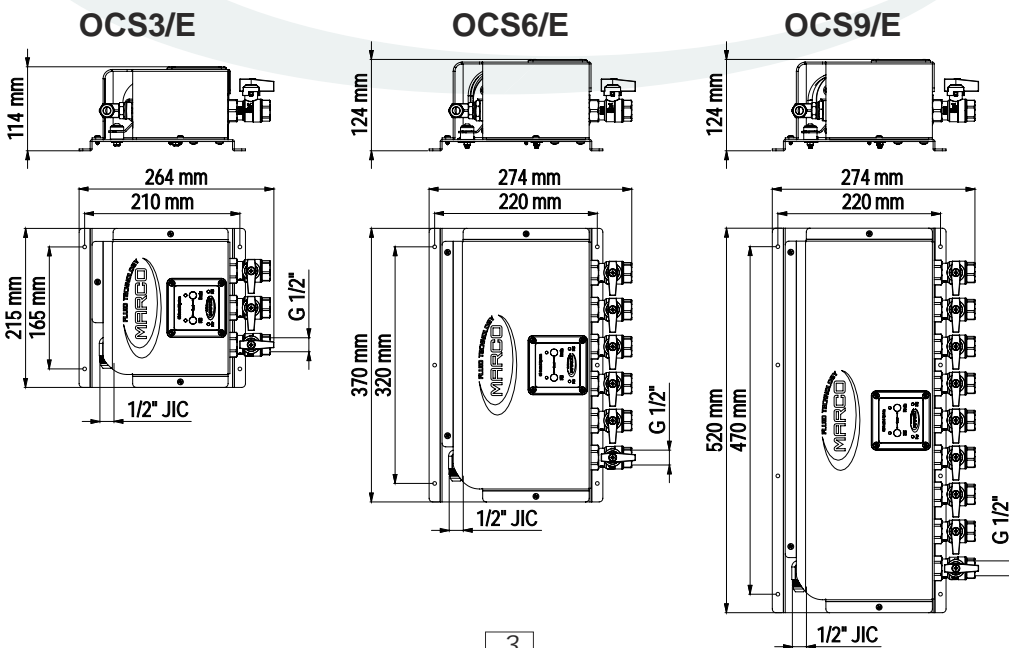
TECHNICAL DETAILS

B

CODE	TYPE	VOLT	FUSE	FLOW RATE (2m)	WEIGHT kg	P.CS x CART.
164 924 15-US	OCS3/E	12/24	10 A	10 l/min.	4.4	1
164 926 15-US	OCS6/E			8.0		
164 928 15-US	OCS9/E	110/220		15 l/min.	10.0	
164 928 1H-US				10.8		

DIMENSIONS

C



Per ulteriori informazioni vedere nostro sito internet - www.marco.it
Marco S.p.A Via Mameli 10 - 25014 Castenedolo (Brescia) - Italia
tel. +39 030 2134.1 / Fax +39 030 2134.300

For further information visit our web site - www.marco.it
Marco S.p.A Via Mameli 10 - 25014 Castenedolo (Brescia) - Italy
tel. +39 030 2134.1 / Fax +39 030 2134.300